

Oartec DX Maintenance

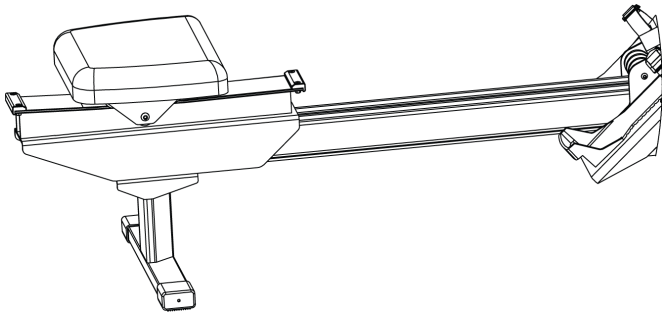
Please follow the procedures set out below to maintain your DX model in optimal working condition.

Cleaning the Rails

Frequency: After every use.

Tools required: Soft cloth, kitchen cleaner

Use a gentle kitchen cleaner and soft cloth to wipe down the rails of sweat, dirt and particles each time after use.



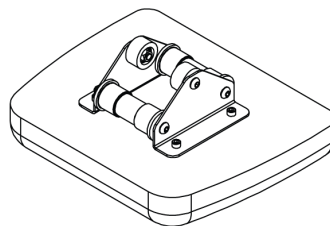
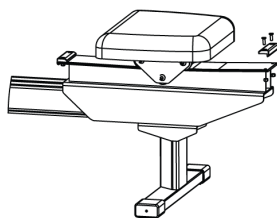
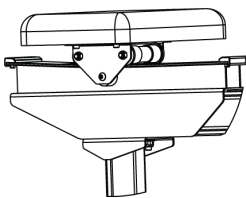
Cleaning the Seat Track and Seat Wheels

Frequency: After every use.

Tools required: Soft cloth, gentle kitchen cleaner

Use a gentle kitchen cleaner and soft cloth to wipe down the stainless seat track and seat wheels of sweat, dirt and particles each time after use.

For a major clean ie. every 6 months, it is best to remove the seat completely.



Oiling the Chain

Frequency: After 50 hours of use or every 2 - 3 months.

Tools required: Soft cloth, 20w or 3 in 1 type oil.

Use a soft cloth and pour the oil into the cloth. Pull the handle to expose the chain and wipe a light coating over the chain. Pay particular attention to the chain that is exposed when not in use. While oiling check the length of the chain for any worn or damaged links.

